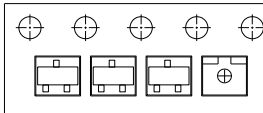


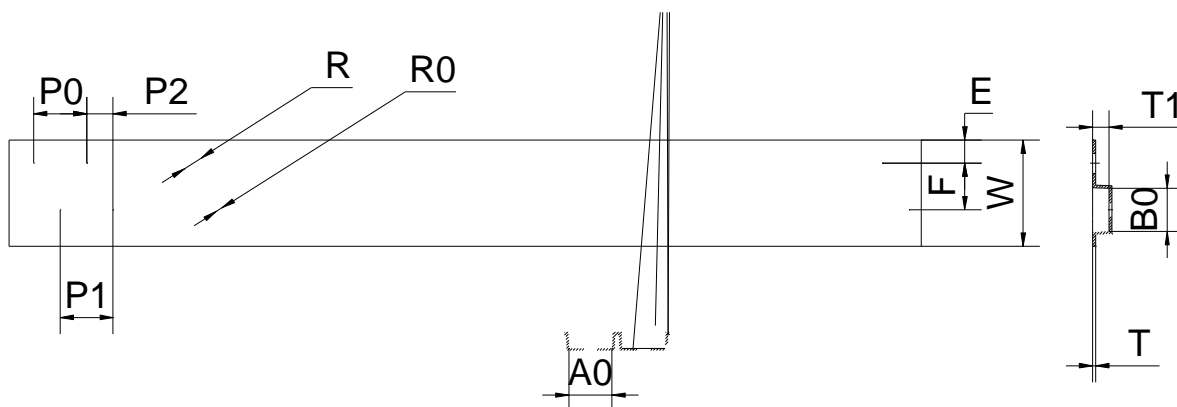
Package	Tape Width	Reel Size	Pitch	Packaging Quantity			Tape Orientation →	OPN Suffix
				Reel	Inner Box	Carton		
	mm	inch	mm	kpcs	kpcs	kpcs		
SOT-23-3L	8	7	4	3	30	120		-F2

Note 1: All MSL3 products come with an ESD/MBB bag.

Note 2: These are minimum package quantities only. Minimum order quantities may vary. Please contact your sales representative for more information on minimum order quantities.

Note 3: YJ Tape&reel products meets EIA-481 specification.

Note 4: Please refer to the product datasheet for MSL level, RoHS and Halogen-Free compliance.

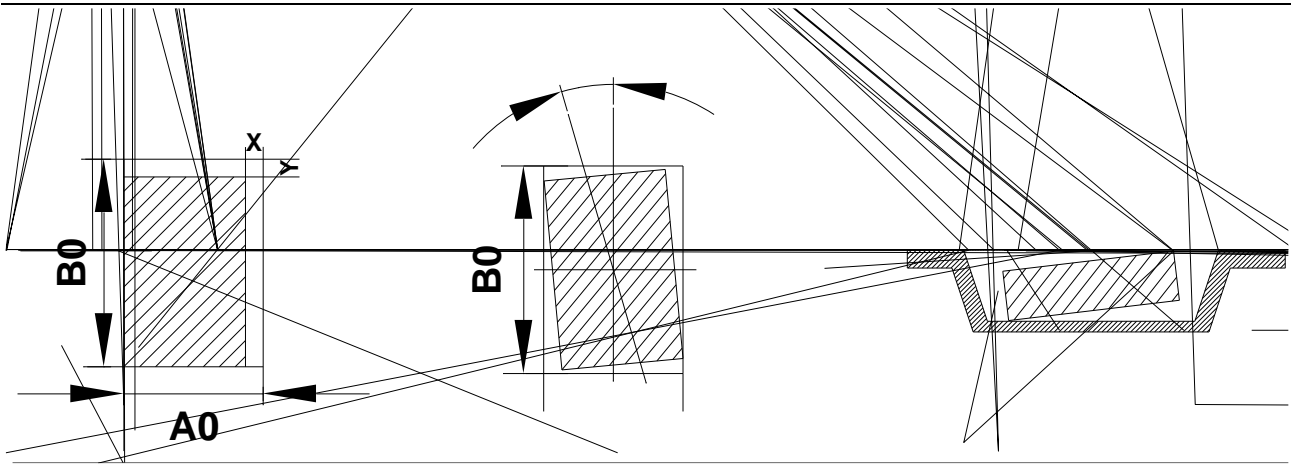


Tape Width	A0(mm)	B0(mm)	B1(mm)	E(mm)	F(mm)	P0(mm)
8mm	Note5		Note6	1.75	3.5	4
(Tolerance)				±0.1	±0.05	±0.1

Tape Width	P1(mm)	P2(mm)	R(mm)	R0(mm)	T(mm)	T1(mm)	W(mm)
8mm	4	2	1.6	1	0.2	1.3	8
(Tolerance)	±0.1	±0.1	±0.1	±0.1	±0.02	±0.1	+0.1/-0.1

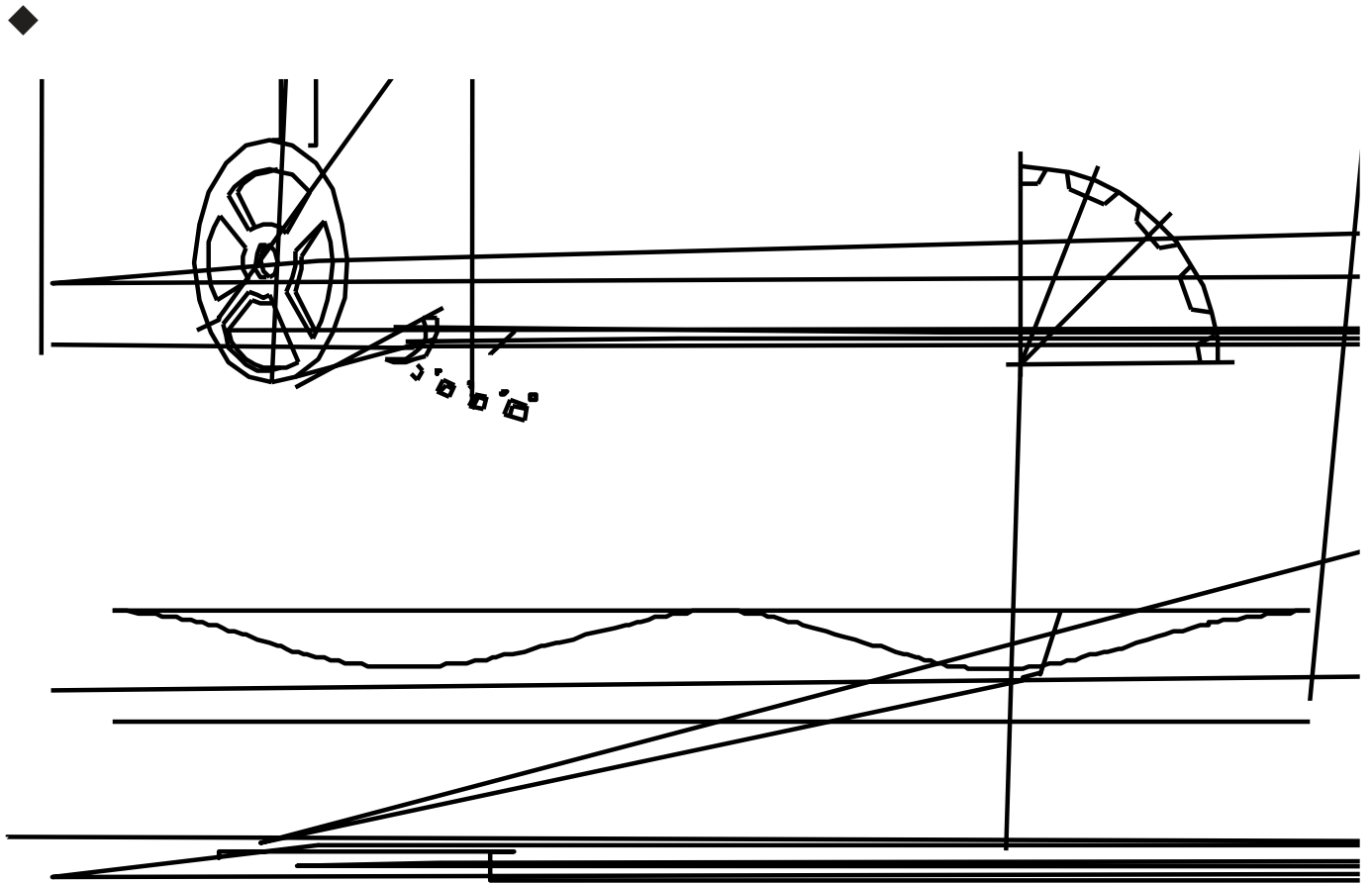
Note 5: A0 and B0 are determined by component size. The clearance between the components and the cavity must be within 0.05 mm min to 0.50mm max.

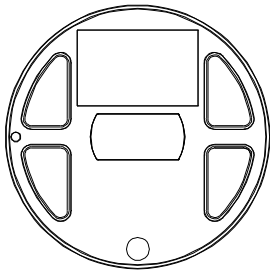
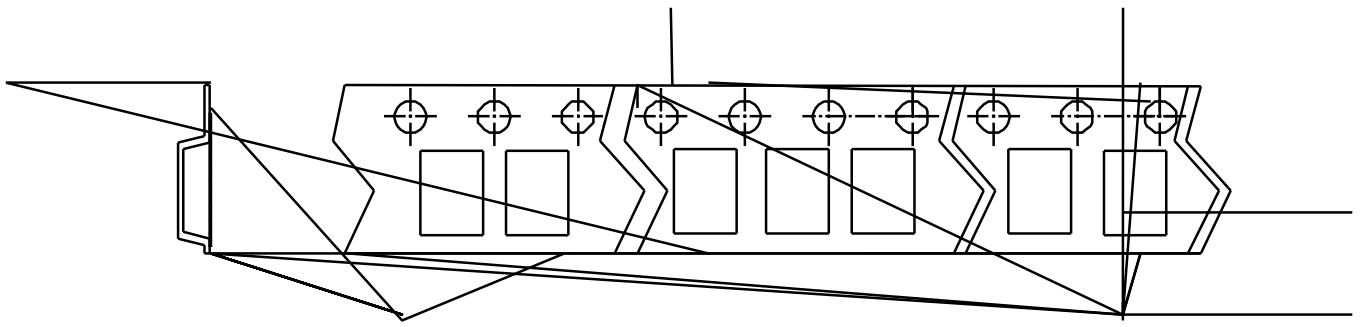
Note6: For machine reference only including draft and radii concentric around B0.



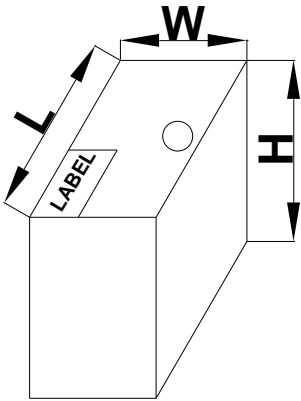
Tape width	8,12mm
X(mm)	0.5
Y(mm)	0.5

Maximum Component Rotation		
Tape width	Top View	Side View
Mm		s
8 12	20	20

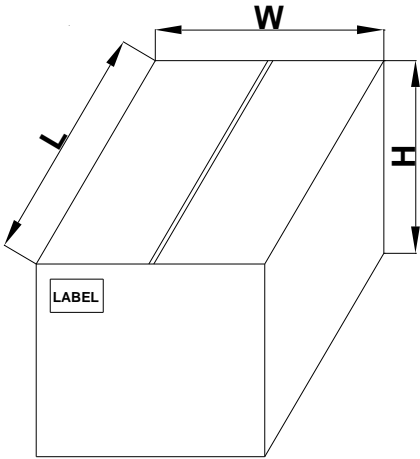




Tape Width	A(mm)	B(mm)	C(mm)	D(mm)	N(mm)	G(mm)	T(mm)
7寸 8mm	178	2.3	13.5	21.1	54.4	9.3	9.3
(Tolerance)	±1	±0.3	±0.3	±0.3	±0.5	±1.5	无阻碍



Dimension	Specification(mm typical)	
	General	ESD/MBB Bag
Reel Size	7 inch	7 inch
L	187±2	245±2
W	130±2	145±2
H	187±2	212±2



Dimension	Specification(mm typical)	
	General	ESD/MBB Bag
Reel Size	7 inch	7 inch
L	390±5	510±5
W	275±5	305±5
H	207±5	235±5